

Manufactured by:
PLUCKS ENGINEERING LTD
www.plucks.nz



32 Bridge St, Rakaia, New Zealand
Tel: (03) 302 7031
Email: sales@plucks.co.nz

BENIC CALF TRAILERS

Trailers for transporting dairy calves

“BENIC CALF TRAILERS” is a trademark of “Benjamin Popowski”

***Patent Pending # 749060**



- **Unique sling-rail calf transport system**
- **Calves are fully supported and protected**
- **Quick and easy loading and towing**
- **Expertly designed and made for trouble-free service**

Efficient, safe and hygienic calf transport system

Pluck's Agri Trailers are designed and manufactured to the highest quality standards to give years of reliable service and are backed by Manufacturer's Warranty

Calf welfare a priority;

- Invented by dairy farmers with veterinary advice
- Each calf is fully supported and protected during transport
- Calves are kept upright, clean and comfortable
- Protects calves from injury, infection and wind-chill

Unique Benic Calf Trailer design;

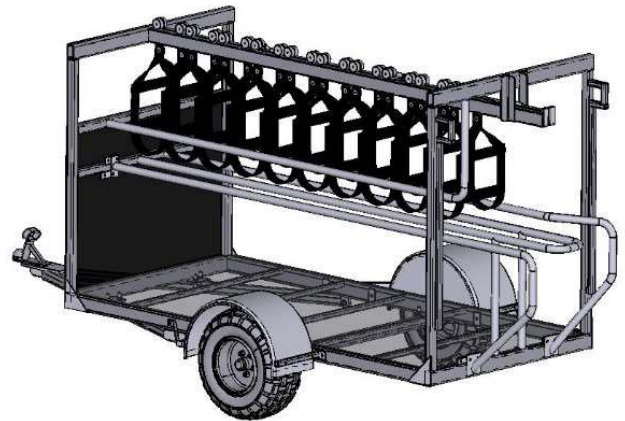
- Sling-rail system securely hold and supports each calf
- Shielded headboard protects calves from wind-chill
- Optimised for easy loading and unloading of calves
- Adjustable rail positions to suit calf size
- Robust but low weight trailer design
- Expertly fabricated and welded to the highest standards (AS/NZS 2980)
- Fully hot-dip galvanized for long-term corrosion protection
- Various models available to suit your farm

Calf transport done right;

- Safe, hygienic, comfortable and low stress for calves
- Easy and efficient one-person operation
- Low trailer weight for easy towing
- Expertly made for trouble-free service

Standard Benic Calf Trailer models;

- **BCT10** – for transporting up to 10 calves (towed mass - 525 kg) *
- **BCT15** – for transporting up to 15 calves (towed mass - 700 kg) *



* Towed mass is the approximate total trailer weight with a full load of calves, based on a typical calf weight of 25kg.
For safe operation always ensure that the towed mass is within the capability of the intended towing vehicle.

Calf trailers and carrier frames are also available for customized applications

Due to ongoing product development the information given in this brochure is subject to change without notice.

Contact us for more information

PLUCK'S
ENGINEERING LTD

0800 758 257
www.plucks.nz

32 Bridge St, Rakaia, New Zealand
Tel: (03) 302 7031
Email: sales@plucks.co.nz